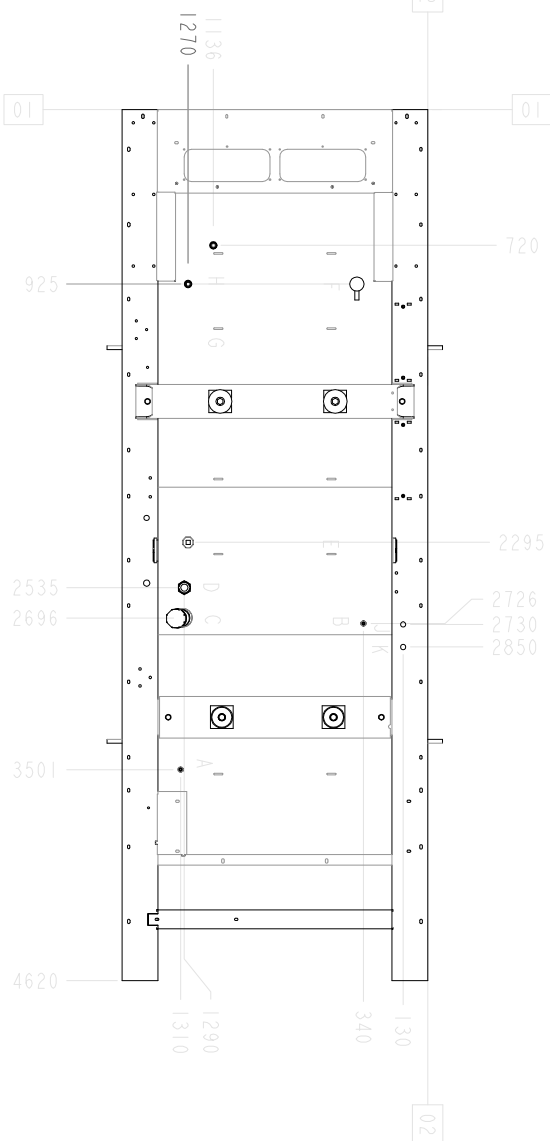


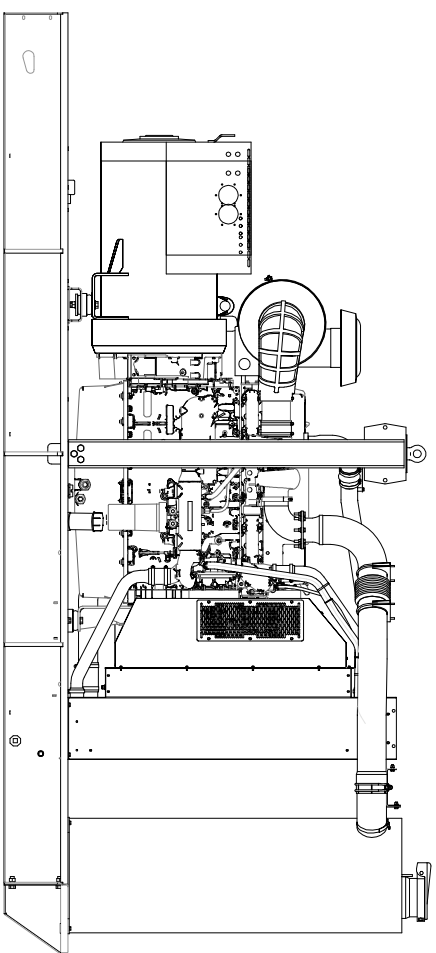
SCALE 1:20



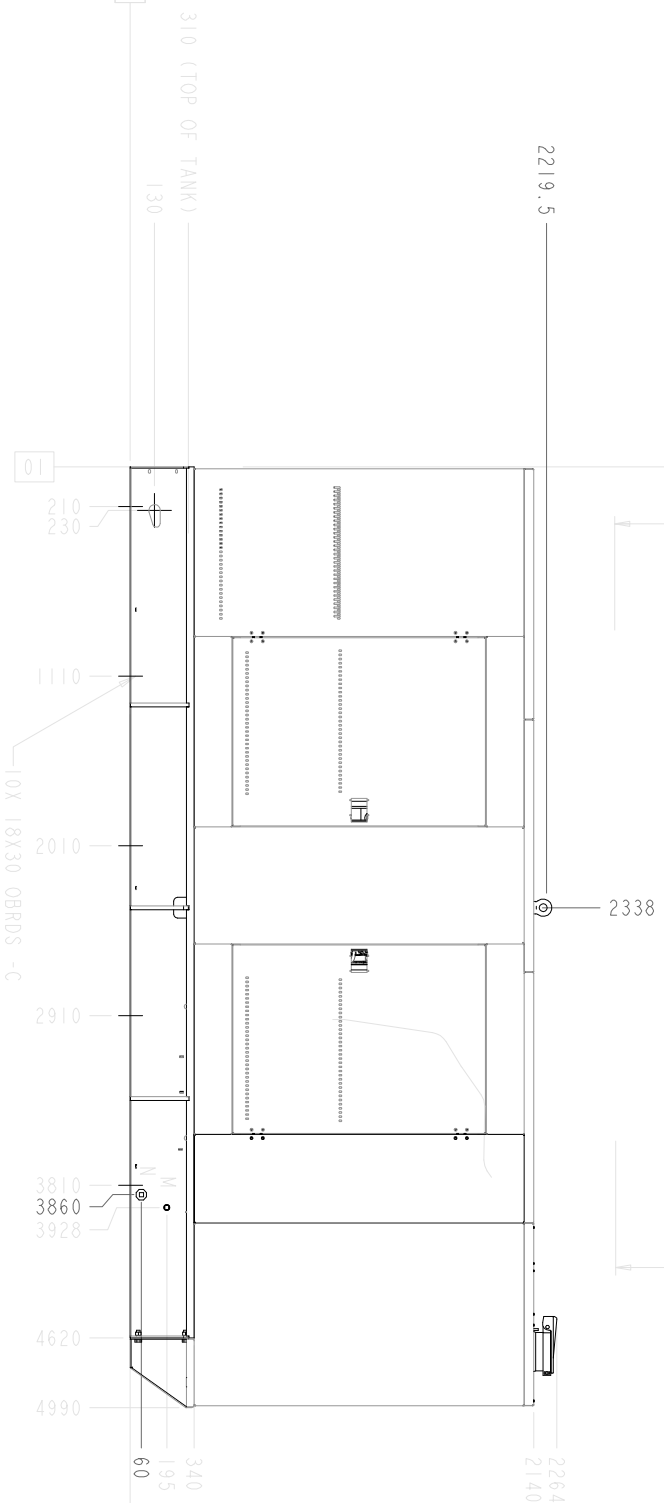
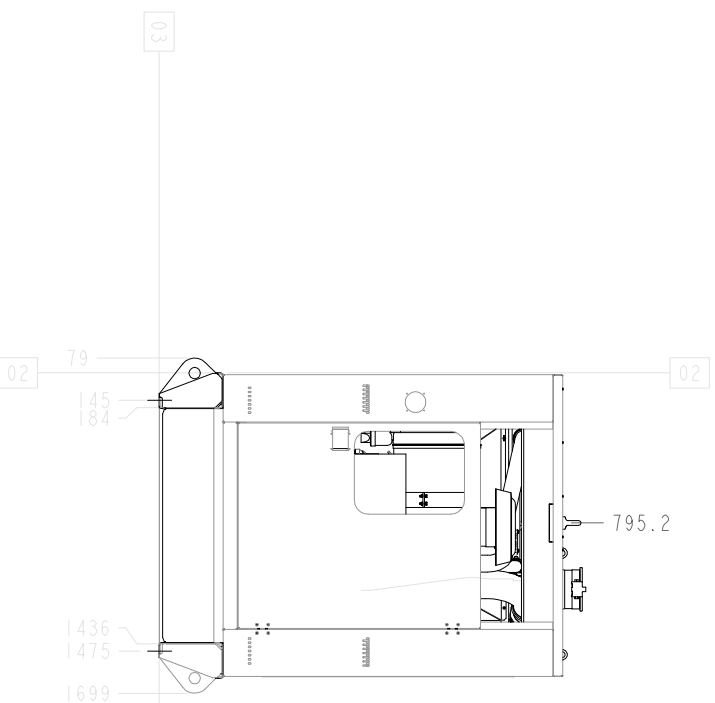
ENG/ALT OPTION	WITH OIL	WITH OIL & WATER	MASS (KG)
2506*/LL6114D	5425	5463	
2506*/LL6114F	5552	5590	
2506*/LL6114G	5574	5612	

BASE	TANK CAPACITY (LITRES)	
	TO FILL	TO USE
291-8097	1002	913.5

SOCKET	DESCRIPTION	DIM X	DIM Y	DIM Z
A	FUEL RETURN 1/2" BSP	3501	1310	184
B	FUEL FILL 1/2" BSP	2726	340	297
C	FUEL FILL 3" BSP	2696	1290	297
D	FUEL FILL GAUGE 1/2" BSP	2535	1290	300
E	REMOTE FUEL RETURN 1/2" BSP	2295	350	304
F	REMOTE FUEL SUPPLY 1" BSP	925	350	310
G	TANK VENT 1" BSP	1265	1270	310
H	LEVEL SWITCH 1" BSP	925	1270	310
J	REMOTE FUEL LOCATION RETURN	2730	130	340
K	REMOTE FUEL LOCATION FEED	2850	130	340
M	SPLILLAGE DRAIN 3/4" BSP	3928	1436	195
N	FUEL DRAIN 1/2" BSP	3860	1436	60
-	APPROX COG FOR GENSET (2506*/LL6114D)	2321	810	822
-	APPROX COG FOR GENSET (2506*/LL6114F)	2290	810	822
-	APPROX COG FOR GENSET (2506*/LL6114G)	2283	810	822



CANOPY REMOVAL



ISSUE DESCRIPTION	1	2	3	4	5	6	7	8
A FIRST ISSUE								
ISSUE DESCRIPTION								

ECR	BY	DATE

TOLERANCES EXCEPT WHERE OTHERWISE STATED
 0 - 500mm ± 1mm
 500 - 2000mm ± 2mm
 OVER 2000mm ± 3mm
 STRUCTURAL ± 3mm
 ANGULAR ± 1°
 DO NOT SCALE

THIS DRAWING IS COPYRIGHTED AND MAY BE COPIED ONLY FOR THE PURPOSES OF MAINTAINING THE OIL FURNISHED EQUIPMENT BY THE FURNISHER. ALL DIMENSIONS IN MILLIMETRES UNLESS OTHERWISE STATED.

DRN. BY S DOWNES
 DATE 29-May-06
 TITLE GA OF PERKINS 2506 STD TANK
 SA CANOPY SET
 SHEET SIZE A1
 ORIGINAL SCALE 1:20
 DRAWING NO/ISSUE MGA7032 A