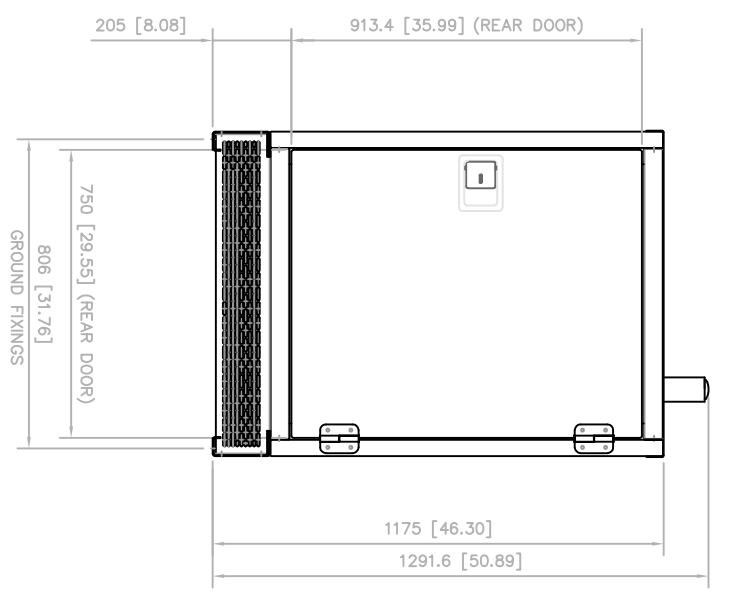
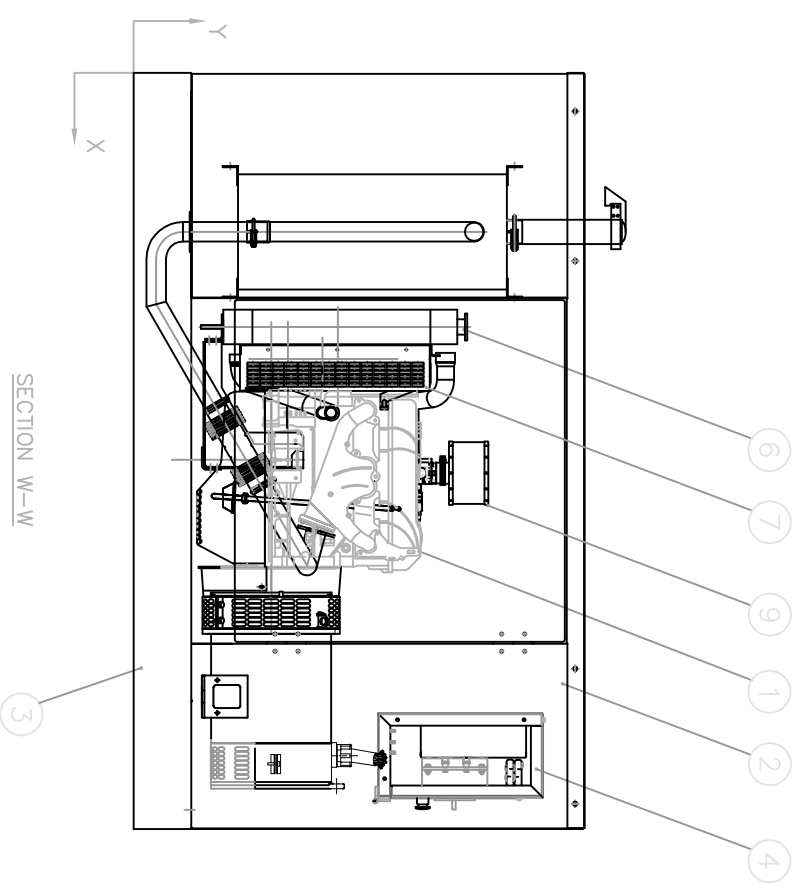
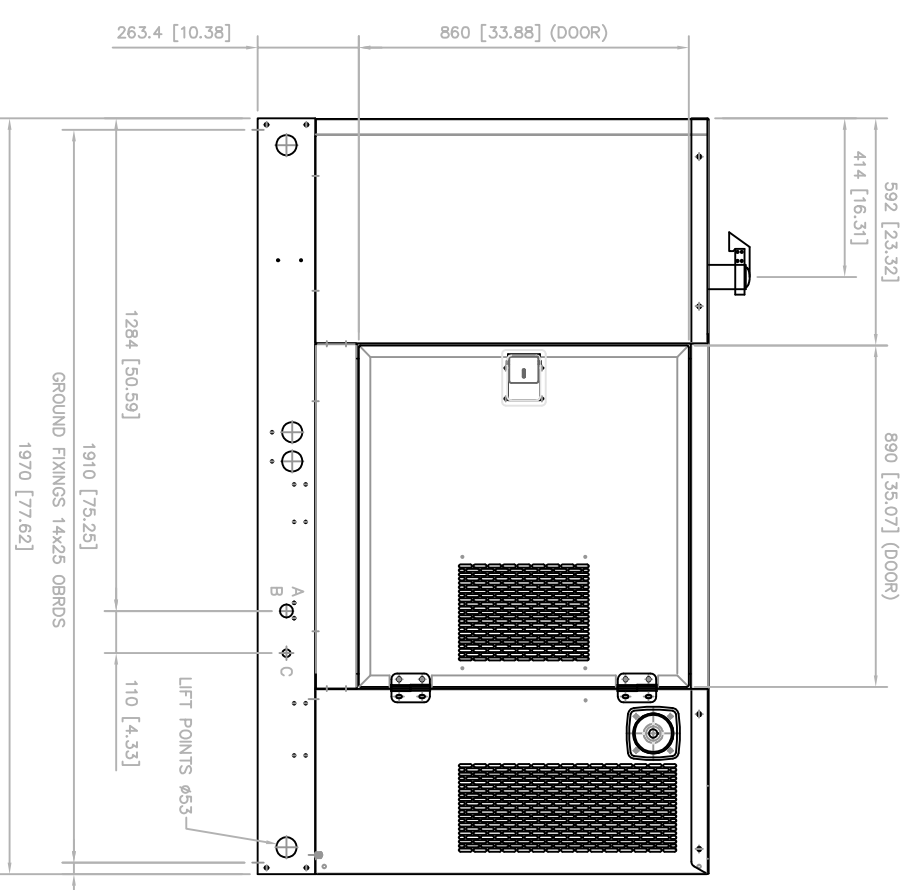
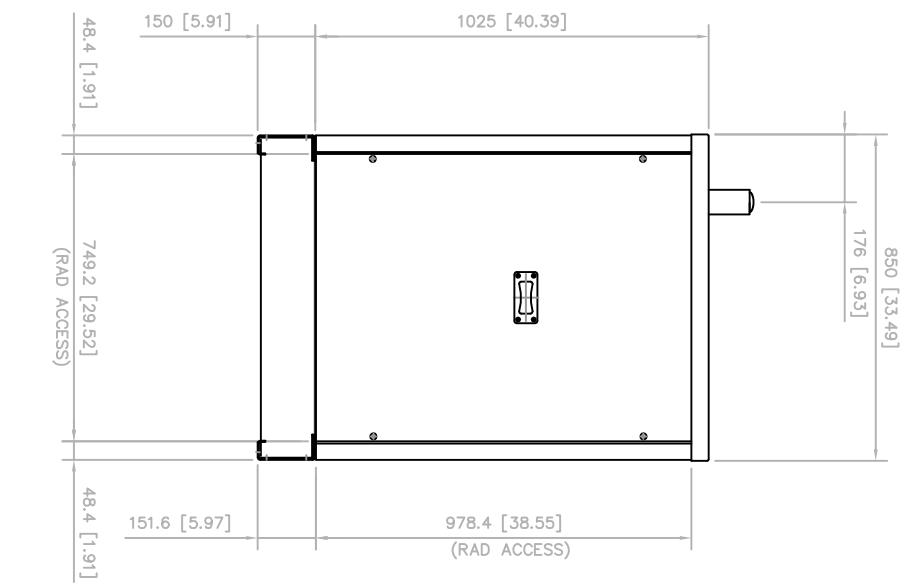
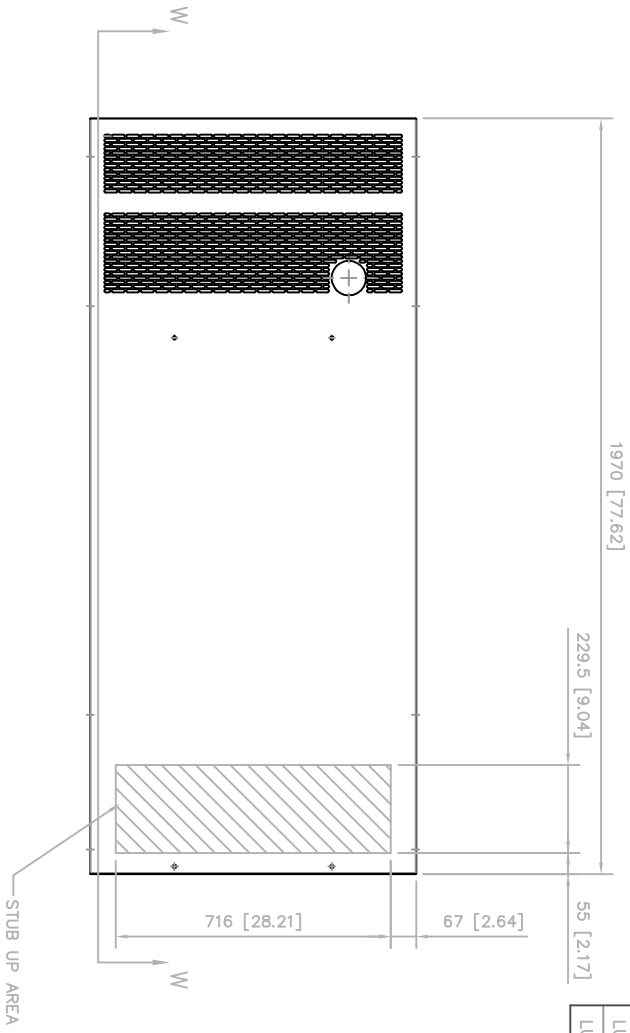


REF.	FUEL TYPE	BULKHEAD FITTING
A	LPG (VAPOR)	3/4" NPT FEMALE
B	NATURAL GAS	3/4" NPT FEMALE
C	LPG LIQUID	1/2" NPT FEMALE

ALTERNATOR	PART NO.	WITH OIL	WITH OIL & WATER	X (CoG)	Y (CoG)
LU1014HX	110-981	528.9	535	1145	358
LU1014NX	110-895	553.9	560	1161	358
LU1012UX	110-983	536.9	543	1149	358
LU1012NX	110-984	556.9	563	1160	358
LU1014HX	110-896	528.9	535	1145	358
LU1014NX	110-836	553.9	560	1161	358
LU1012UX	110-895	536.9	543	1149	358
LU1012NX	110-837	556.9	563	1160	358

ITEM	QTY	DESCRIPTION	DWG/PART NO.
1	1	ENGINE/ALTERNATOR COMBINATIONS	MGS4161
2	1	CANOPY AND EXHAUST SYSTEM GROUP	MGS3899
3	1	SKIDBASE ARRANGEMENT GROUP	MGS3934
4	1	PANEL STAND GROUP	MGS4123
5	1	BATTERY GROUP	MGS3737
6	1	RADIATOR AND FAN SYSTEM GROUP	MGS3738
7	1	FAN AND PULLEY GUARD GROUP	MGS3772
8	1	GAS TRAIN (NATURAL GAS) GROUP	MGS4002
9	1	AIR FILTER GROUP	MGS3996
10	1	COUPLING ALT/ENGINE GROUP	MGS3778
11	1	LOW COOLANT TEMP. SENSOR GROUP	MGS3774
12	1	MAGNETIC PICK-UP GROUP	MGS3902
13	1	LOW COOLANT LEVEL SENSOR GROUP	MGS3904
14	1	OIL PRESSURE SENSOR GROUP	MGS3905
15	1	HIGH COOLANT TEMP. SENSOR GROUP	MGS3906
16	1	SUMP DRAIN LOCATION GROUP	MGS3776
17	1	RAD DRAIN LOCATION GROUP	MGS3777
18	1	WARNING LABELS GROUP	MGS3786
19	1	BRAND LABELS GROUP (FGW)	MGS3987
19S	1	BRAND LABELS GROUP (OLYMPIAN)	MGS3988
20	1	DC LOOM GROUP	MGS4179

\* - ITEM NOT SHOWN



<table border="1"> <tr> <td>B</td> <td>REMOVED THE WORD ISUZU FROM TITLE</td> <td>26931</td> <td>A.K.</td> <td>26/01/07</td> </tr> <tr> <td>A</td> <td>FIRST ISSUE</td> <td>20146</td> <td>D.A.</td> <td>30/03/00</td> </tr> <tr> <td>ISSUE</td> <td>DESCRIPTION</td> <td>EGR/DCR</td> <td>BY</td> <td>DATE</td> </tr> </table>		B	REMOVED THE WORD ISUZU FROM TITLE	26931	A.K.	26/01/07	A	FIRST ISSUE	20146	D.A.	30/03/00	ISSUE	DESCRIPTION	EGR/DCR	BY	DATE	<table border="1"> <tr> <td>DRN. BY</td> <td>D ALLEN</td> <td>TITLE</td> <td>HMAZBI (GAS) IN OLYMPIAN/F.G. WILSON SA CANOPY</td> </tr> <tr> <td>DATE</td> <td>30/08/00</td> <td>APPR. BY</td> <td><i>James Haines</i></td> </tr> <tr> <td>DATE</td> <td>06/02/2007</td> <td>SHEET SIZE</td> <td>A1</td> </tr> <tr> <td>DATE</td> <td></td> <td>ORIGINAL SCALE</td> <td>1:10</td> </tr> <tr> <td>DATE</td> <td></td> <td>DRAWING NO.</td> <td>MGA5472</td> </tr> <tr> <td>DATE</td> <td></td> <td>ISSUE</td> <td>B</td> </tr> </table>		DRN. BY	D ALLEN	TITLE	HMAZBI (GAS) IN OLYMPIAN/F.G. WILSON SA CANOPY	DATE	30/08/00	APPR. BY	<i>James Haines</i>	DATE	06/02/2007	SHEET SIZE	A1	DATE		ORIGINAL SCALE	1:10	DATE		DRAWING NO.	MGA5472	DATE		ISSUE	B
B	REMOVED THE WORD ISUZU FROM TITLE	26931	A.K.	26/01/07																																						
A	FIRST ISSUE	20146	D.A.	30/03/00																																						
ISSUE	DESCRIPTION	EGR/DCR	BY	DATE																																						
DRN. BY	D ALLEN	TITLE	HMAZBI (GAS) IN OLYMPIAN/F.G. WILSON SA CANOPY																																							
DATE	30/08/00	APPR. BY	<i>James Haines</i>																																							
DATE	06/02/2007	SHEET SIZE	A1																																							
DATE		ORIGINAL SCALE	1:10																																							
DATE		DRAWING NO.	MGA5472																																							
DATE		ISSUE	B																																							
<p>TOLERANCES EXCEPT WHERE OTHERWISE STATED</p> <p>0 - 500mm ± 1mm 500 - 2000mm ± 2mm OVER 2000mm ± 3mm</p> <p>STRUCTURAL ± 3mm ASSEMBLY ± 1mm</p> <p>DO NOT SCALE</p>		<p>THIS DRAWING IS COPYRIGHTED AND MAY BE COPIED ONLY FOR THE PURPOSES OF MAINTAINING THE FABRICATED EQUIPMENT BY THE FABRICATOR</p> <p>ALL DIMENSIONS IN MILLIMETERS UNLESS OTHERWISE STATED</p>																																								