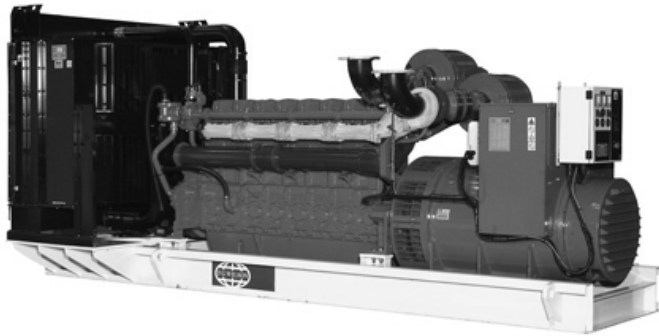


P1000P1/P1100E1



www.FGWilson.com



Output Ratings		
Generating Set Model	Prime*	Standby*
380-415V, 50Hz	1000.0 kVA	1100.0 kVA
	800.0 kW	880.0 kW
220/127V, 60 Hz	-	-
	-	-

* Refer to ratings definitions on page 4.

Ratings at 0.8 power factor.

Technical Data		
Engine Make & Model:	Perkins 4008TAG2A	
Alternator Model:	LL8124B	
Base Frame Type:	Heavy Duty Fabricated Steel	
Circuit Breaker Type:	3 Pole ACB	
Frequency:	50 Hz	60 Hz
Engine Speed: RPM	1500	-
Fuel Tank Capacity: litres (US gal)	-	
Fuel Consumption: Prime l/hr (US gal/hr)	215.4 (56.9)	-
Fuel Consumption: Standby l/hr (US gal/hr)	241.5 (63.8)	-



FG Wilson has manufacturing facilities in the following locations:

Northern Ireland · Brazil · China · India · USA

With headquarters in Northern Ireland, FG Wilson operates through a Global Dealer Network. To contact your local Sales Office please visit the FG Wilson website at www.FGWilson.com



Engine Technical Data

Physical Data		Air System		50 Hz	60 Hz
Manufacturer:	Perkins	Air Filter Type:	Replaceable Element		
Model:	4008TAG2A	Combustion Air Flow:			
No. of Cylinders/Alignment:	8 / In Line	m ³ /min (cfm) -Standby:	80.5 (2843)	-	
Cycle:	4 Stroke	-Prime:	75.0 (2649)	-	
Induction:	Turbocharged Air To Air Charge Cooled	Max. Combustion Air Intake Restriction: kPa (in H ₂ O)	3.7 (14.9)	-	
Cooling Method:	Water	Radiator Cooling Air Flow:			
Governing Type:	Electronic	m ³ /min (cfm)	1152.0 (40683)	-	
Governing Class:	ISO 8528 G2	External Restriction to Cooling Air Flow: Pa (in H ₂ O)	250 (1.0)	-	
Compression Ratio:	13.6:1				
Displacement: l (cu.in)	30.6 (1864.9)	Cooling System		50 Hz	60 Hz
Bore/Stroke: mm (in)	160.0 (6.3)/190.0 (7.5)	Cooling System Capacity:			
Moment of Inertia: kg m ² (lb. in ²)	15.62 (53376)	l (US gal)	180.0 (47.6)	-	
Engine Electrical System:		Water Pump Type:	Centrifugal		
-Voltage/Ground:	24/Negative	Heat Rejected to Water & Lube Oil: kW (Btu/min)			
-Battery Charger Amps:	40	-Standby:	349.0 (19847)	-	
Weight: kg (lb) - Dry:	3250 (7165)	-Prime:	332.0 (18881)	-	
- Wet:	3428 (7557)	Heat Radiation to Room:			
		kW (Btu/min) -Standby:	151.0 (8587)	-	
		-Prime:	125.0 (7109)	-	
		Radiator Fan Load: kW (hp)	30.0 (40.2)	-	
		Cooling system designed to operate in ambient conditions up to 50°C (122°F). Contact your local FG Wilson dealer for power ratings at specific site conditions.			
Performance		50 Hz	60 Hz	Lubrication System	
Engine Speed: RPM	1500	-	-		
Gross Engine Power: kW (hp)					
-Standby:	969.0 (1299.0)	-	-	Oil Filter Type: Spin-On, Full Flow	
-Prime:	882.0 (1183.0)	-	-	Total Oil Capacity l (US gal): 166.0 (43.9)	
BMEP: kPa (psi)				Oil Pan l (US gal): 153.0 (40.4)	
-Standby:	2537.0 (367.9)	-	-	Oil Type: API CG4 15W-40	
-Prime:	2309.0 (334.9)	-	-	Cooling Method: Water	
Regenerative Power: kW	80.0	-	-	Exhaust System	
				50 Hz	60 Hz
				Silencer Type: Optional	
				Silencer Model & Qty: - (-)	
				Pressure Drop Across Silencer System: kPa (in Hg) - -	
				Silencer Noise Reduction	
				Level: dB 10 -	
				Max. Allowable Back Pressure: kPa (in. Hg) 8.0 (2.4) -	
				Exhaust Gas Flow:	
				m ³ /min (cfm) -Standby: 200.0 (7063) -	
				-Prime: 200.0 (7063) -	
				Exhaust Gas Temperature: °C (°F)	
				-Standby: 465 (869) -	
				-Prime: 438 (820) -	
Fuel System					
Fuel Filter Type:	Replaceable Element				
Recommended Fuel:	Class A2 Diesel				
Fuel Consumption: l/hr (US gal/hr)					
	110% Load	100% Load	75% Load	50% Load	
Prime					
50 Hz	241.5 (63.8)	215.4 (56.9)	157.0 (41.5)	109.4 (28.9)	
60 Hz	-	-	-	-	
Standby					
50 Hz		241.5 (63.8)	173.5 (45.8)	118.0 (31.2)	
60 Hz		-	-	-	
(based on diesel fuel with a specific gravity of 0.85 and conforming to BS2869, Class A2)					

Alternator Performance Data

Data Item	50 Hz			60 Hz				
	415/240V	400/230V	380/220V					
Motor Starting Capability* kVA	2469	2301	2085					
Short Circuit Capacity** %	300	300	300					
Reactances: Per Unit								
Xd	3.450	3.720	4.120					
X'd	0.260	0.280	0.310					
X''d	0.141	0.151	0.168					

Reactances shown are applicable to prime ratings

* Based on 30% voltage dip.

** With optional Permanent Magnet generator or AREP excitation.

Alternator Technical Data

Physical Data		Operating Data	
Manufacturer:	FG WILSON	Overspeed: RPM	2250
Model:	LL8124B	Voltage Regulation (steady state) (%):	+/- 0.5
No. of Bearings:	1	Wave Form NEMA = TIF:	50
Insulation Class:	H	Wave Form IEC = THF:	2.0%
Winding Pitch Code:	2/3 - 6S	Total Harmonic Content LL/LN:	3.5%
Wires:	6	Radio Interference:	Suppression is in line with European Standard EN61000-6
Ingress Protection Rating:	IP23	Radiant Heat: kW (Btu/min)	
Excitation System:	AREP	-50 Hz:	51.2 (2912)
AVR Model:	R449	-60 Hz:	-

Technical Data

3 Phase Ratings and Performance at 50 Hz, 1500 RPM

3 Phase Ratings and Performance at 60 Hz, - RPM

Voltage	Prime		Standby		Voltage	Prime		Standby	
	kVA	kW	kVA	kW		kVA	kW	kVA	kW
415/240V	1000.0	800.0	1100.0	880.0					
400/230V	1000.0	800.0	1100.0	880.0					
380/220V	1000.0	800.0	1100.0	880.0					

Definitions

Standby Rating

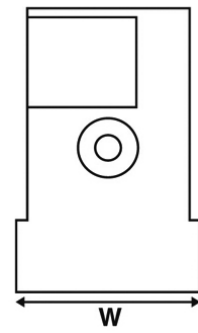
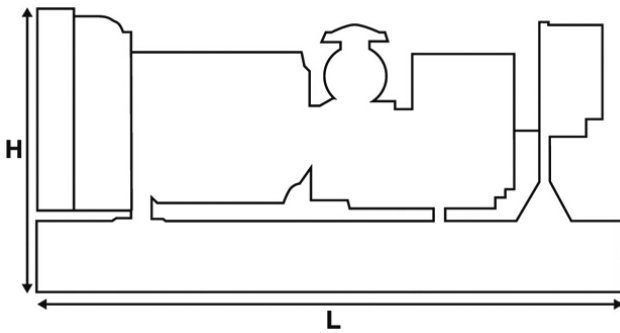
These ratings are applicable for supplying continuous electrical power (at variable load) in the event of a utility power failure. No overload is permitted on these ratings. The alternator on this model is peak continuous rated (as defined in ISO 8528-3).

Prime Rating

These ratings are applicable for supplying continuous electrical power (at variable load) in lieu of commercially purchased power. There is no limitation to the annual hours of operation and this model can supply 10% overload power for 1 hour in 12 hours.

Standard Reference Conditions

Note: Standard reference conditions 25°C (77°F) Air Inlet Temp, 100m (328ft) A.S.L. 30% relative humidity. Fuel consumption data at full load with diesel fuel with specific gravity of 0.85 and conforming to BS2869: 1998, Class A2.



Weights and Dimensions

Weights: kg (lb)		Dimensions: mm (in)	
Net (+ lube oil)	7334 (16169)	Length	4790 (188.6)
Wet (+ lube oil & coolant)	7568 (16685)	Width	2036 (80.2)
Fuel, lube oil & coolant	-	Height	2235 (88.0)

General Data

Documents

A full set of operation and maintenance manuals and circuit wiring diagrams.

Generating Set Standards

The equipment meets the following standards: BS5000, ISO 8528, ISO 3046, IEC 60034, NEMA MG-1.22.

FG Wilson is a fully accredited ISO 9001 company.

Warranty

All equipment carries full manufacturer's warranty. Extended warranty terms available. For details on warranty cover please contact your local dealer, or visit our website: www.FGWilson.com