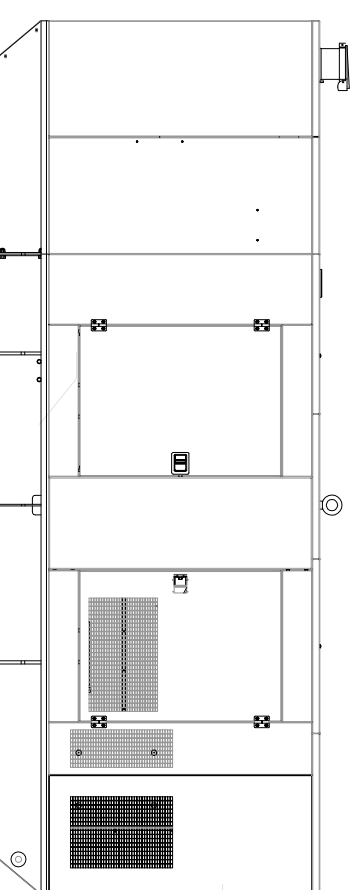
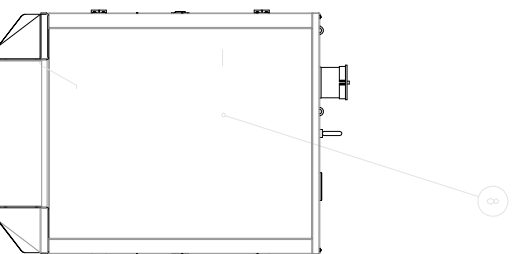
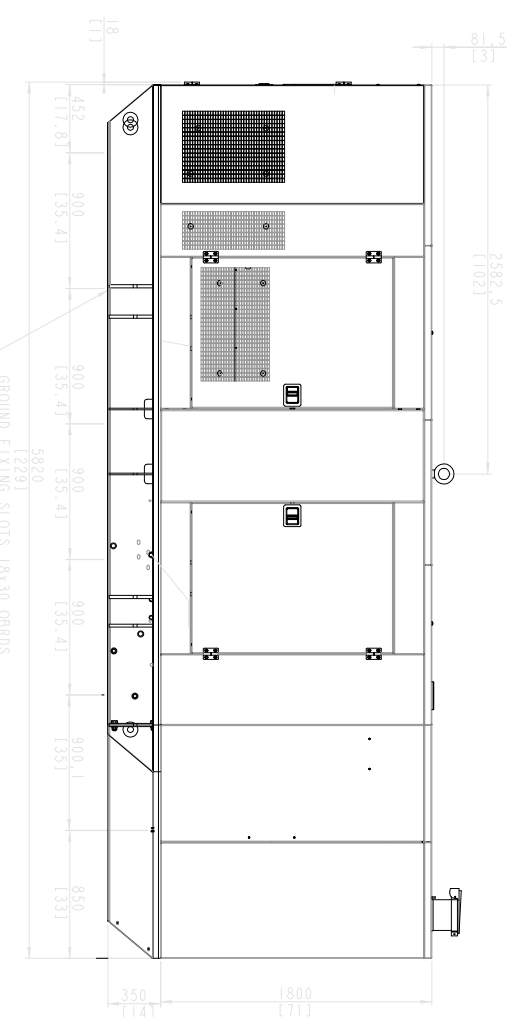
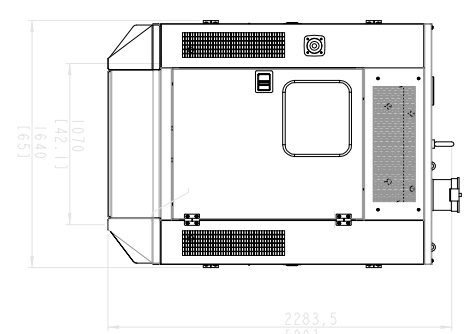
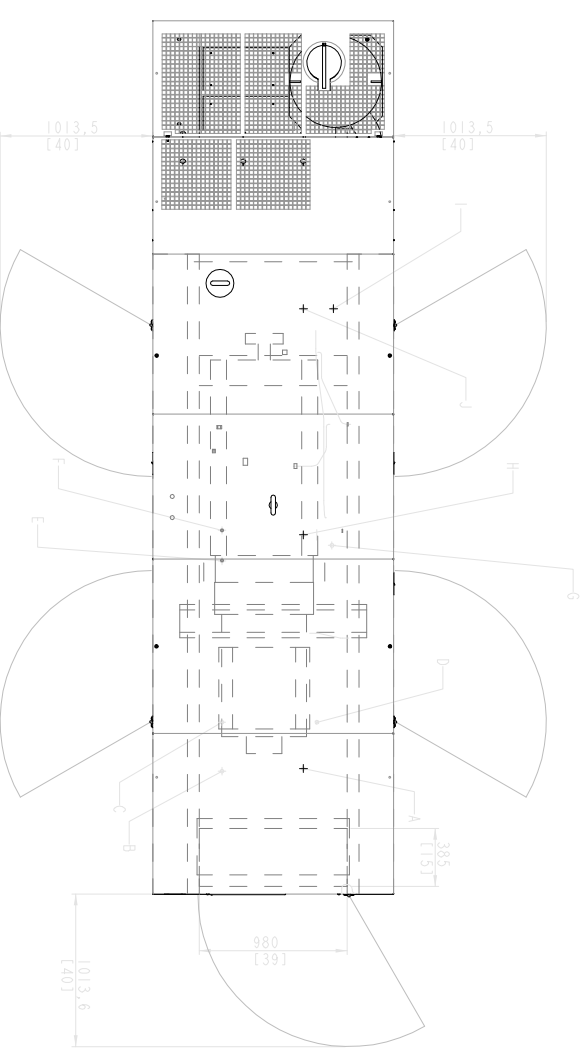
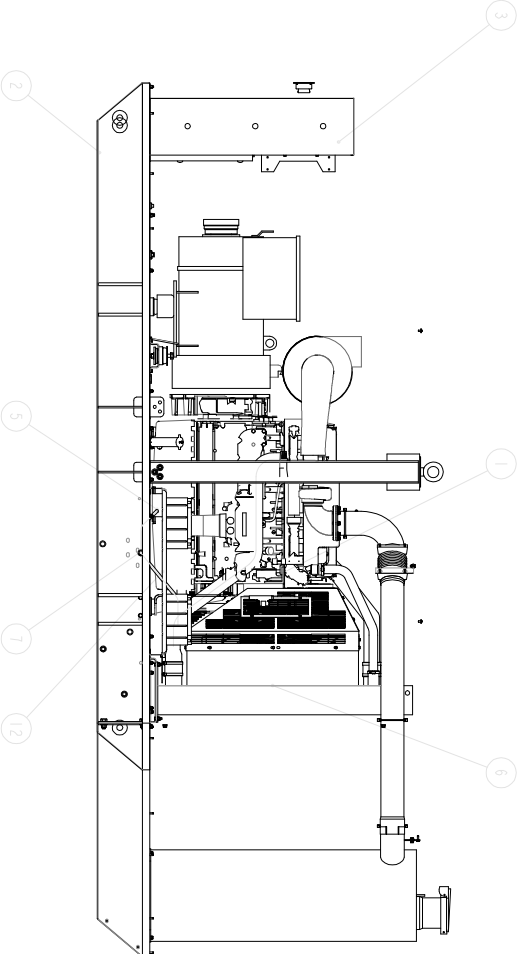


ITEM	X	Y	Z	DESCRIPTION
A	4988	350	1190	TANK VENT 1" BSP
B	4988	350	460	REMOTE FUEL SUPPLY 1" BSP
C	4663	350	460	LEVEL SWITCH 1" BSP
D	4663	350	1090	FUEL LIFT 1/2" BSP
E	3500	350	460	FUEL RETURN 1/2" BSP
F	3500	350	460	FUEL RETURN 1/2" BSP
G	3488	350	1190	FUEL FILL GAUGE 1 1/2" BSP
H	3418	350	1095	FUEL FILL 2" BSP
I	1745	180	1300	SPLILAGE DRAIN 1" BSP
J	2045	40	1300	FUEL OIL DRAIN 1" BSP

GENSET	WITH OIL	WITH OIL & WATER	TANK CAPACITY (L)
2806C-E1BTA02/LL6014J	5494	5540	880
2806C-E1BTA01/LL6114D	5447	5497	880
2806C-E1BTA02/LL6114F	5594	5644	880

ITEM QTY	DESCRIPTION	DWG / PART NO.
1	ENGINE ALT COMBINATION	MGS3864
2	BASEFRAME GROUP	MGS4848
3	PANEL STAND GROUP	MGS4935
4	FUEL LINES GROUP	MGS5602
5	OIL DRAIN GROUP	MGS4877
6	RADIATOR UPFIT GROUP	MGS4968
7	RAD DRAIN ASSY	MGS4944
8	ENCLOSURE GP	283-6626
9	COUPLING GROUP	MGS3305
10	BRAND LABELS GROUP (B&W)	MGS4738
11	WARNING LABELS GROUP	MGS4739
12	BATTERY TRAY ASSY	MGS4740
13	BRAND LABELS GROUP (OLYMPIAN ROW)	MGS5614

* : ITEMS NOT SHOWN



REV	DESCRIPTION	BY	DATE
A	FIRST ISSUE		
B	X, Y, Z DATUMS ADDED/ ENG - ALT COMBINATIONS MODIFIED	21086	S. B. 27/09/03
C	FUEL LINES GROUP CHANGED (WAS MGS4880) & OLYMPIAN BRAND GROUP ADDED	22271	W. G. 27/09/03
D	UPDATED TO SHOW NEW OVERALL HEIGHT AND EQ. F.I.K. MODEL	23179	J.L.S. 28/09/03
E	MODIFIED REPLACES BY 283-6626	25239	D.M.C. 09/10/05
F	ALTERATIONS AND WEIGHTS ADDED FOR AFS PRODUCT	28271	J.S. 18/03/08
G	USE X DESIGNATION REMOVED	28826	M.P.F. 13/08/08

TOLERANCES EXCEPT WHERE OTHERWISE STATED

0 - 500mm ± 1mm
500 - 2000mm ± 2mm
OVER 2000mm ± 3mm

STRUCTURAL ± 3mm ANGULAR ± 1°

DO NOT SCALE

THIS DRAWING IS COPYRIGHTED AND MAY BE COPIED FOR THE PURPOSES OF MAINTAINING OR REPAIRING EQUIPMENT BY THE PURCHASER. ALL DIMENSIONS IN MILLIMETRES UNLESS OTHERWISE STATED.

3rd ANGLE PROJECTION

DRN. BY: D. MCCALL
DATE: 06-OCT-05
TITLE: PERKINS 2806 IN SA CANOPY
SHEET SIZE: A1
ORIGINAL SCALE: 1:25
DRAWING NO./ISSUE: MGS45993 G