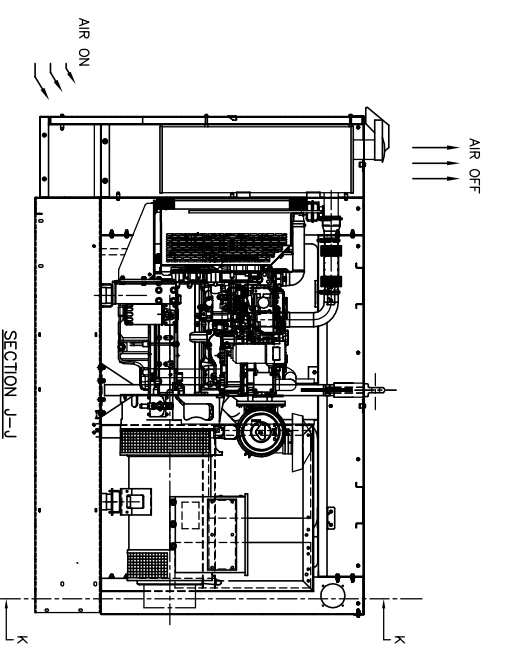
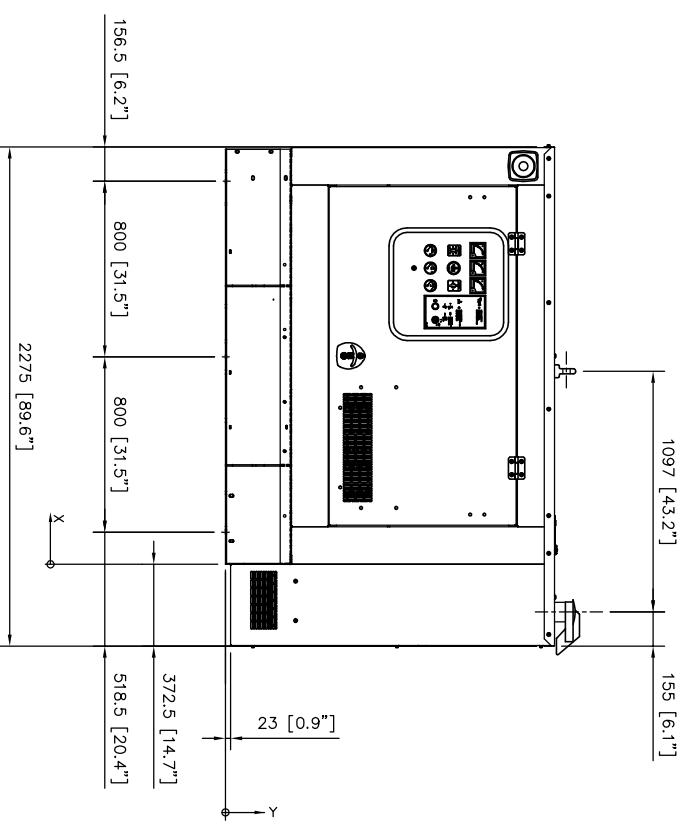
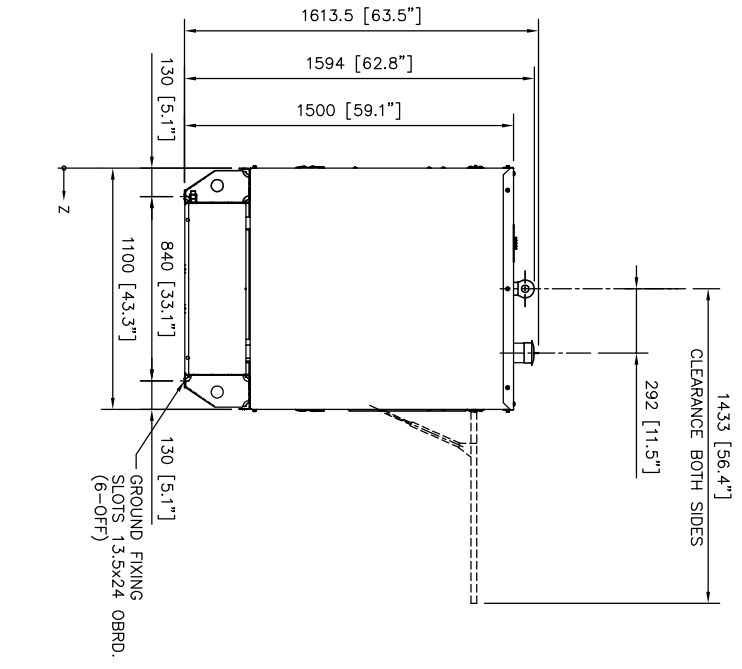
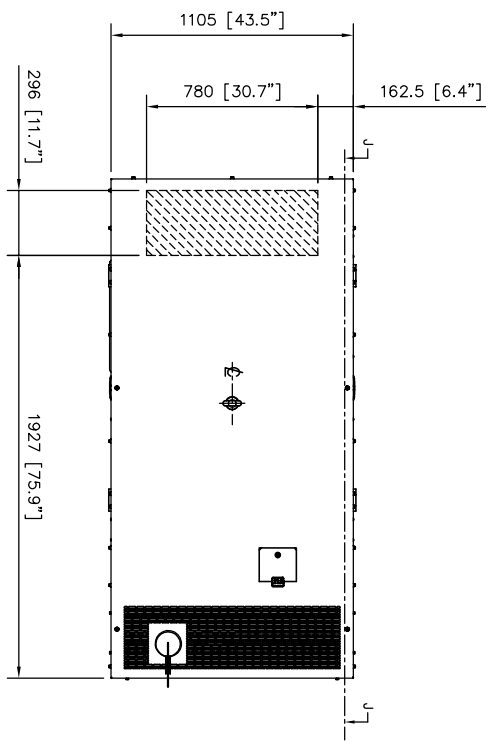
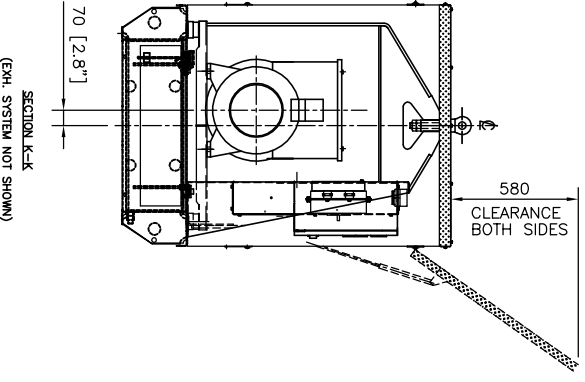
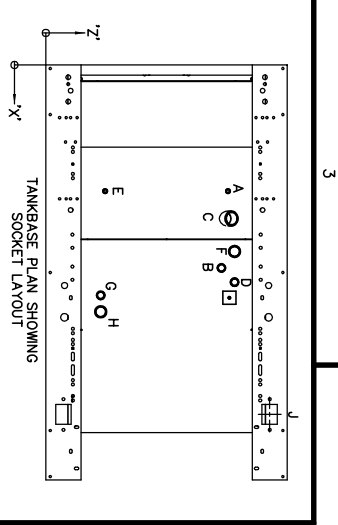


DESCRIPTION	DIM X	DIM Y	DIM Z
A FUEL SUPPLY - 3/8" BSP SOCKET	575 [22.6"]	280 [11.0"]	830 [32.7"]
B FUEL LEVEL SWITCH - 1" BSP HALF SOCKET	925 [36.4"]	280 [11.0"]	800 [31.5"]
C FUEL FILL - 2" BSP SOCKET	700 [27.6"]	280 [11.0"]	830 [32.7"]
D REMOTE FUEL SUPPLY - 1" BSP HALF SOCKET	990 [39.0"]	280 [11.0"]	860 [33.9"]
E FUEL RETURN - 3/8" BSP SOCKET	575 [22.6"]	280 [11.0"]	270 [10.6"]
F FUEL LEVEL GAUGE - 1 1/2" BSP HALF SOCKET	850 [33.5"]	280 [11.0"]	860 [33.9"]
G FUEL TANK VENT - 1" BSP HALF SOCKET	1050 [41.3"]	280 [11.0"]	250 [9.8"]
H REMOTE FUEL RETURN - 1 1/2" BSP HALF SOCKET	1125 [44.3"]	280 [11.0"]	250 [9.8"]
I FUEL TANK DRAIN - 3/4" BSP SOCKET (NOT SHOWN)	1525 [60.0"]	40 [1.5"]	156 [6.1"]
J CABLE ENTRY - 90 [3.5"] x 70 [2.8"]	1593 [62.7"]	300 [11.8"]	1020 [40.2"]



MODEL	GENSET	WEIGHT (kg)		CENTRE OF GRAVITY		
		(WITH OIL)	(WITH OIL & WATER)	DIM X	DIM Y	DIM Z
P40P3/P44E3/GEPA44-5	1103A-33TG1/LL2014B	1235	1245	731	714	521
P45P3/P50E3/GEPA50-5	1103A-33TG1/LL2014C	1235	1245	731	714	521
P32P3S/P35E3S/GEPA35SP5	1103A-33TG1/LL2014H	1305	1315	759	709	519
P50P1/P55E1/GEPA55-1	1103A-33TG2/LL2014D	1285	1285	738	713	520
P60P3/P65E3/GEPA65-5/ P40P1S/P44E1S/GEPA44SP1	1103A-33TG2/LL2014H	1305	1315	759	709	519
P45P3S/P50E3S/GEPA50SP5	1103A-33TG2/LL2014J	1345	1355	775	706	518
P80P1/P88E1/GEPA88-1	1104A-44TG2/LL2014L	1422	1435	822	717	516
P58P1S/P64E1S/GEPA64SP1	1104A-44TG1/LL3014B	1465	1478	834	714	515
P60P5/P65E5/GEPA65-7	1104A-44TG1/LL2014H	1360	1373	792	717	516
P45P5S/P50E5S/GEPA50SP-7	1104A-44TG1/LL2014J	1400	1413	809	714	516

ISSUE	DESCRIPTION	ECR/DCR	BY	DATE
1	OLD CANOPY REPLACED WITH NEW DESIGN	JMCC	JMCC	19/09/06
2	MODELS P45P5S/P50E5S/GEPA50SP-7 ADDED TO WEIGHTS TABLE	JMCC	JMCC	27/01/06
3	DATUMS 'X' & 'Z' ADDED TO SOC'L OUT DRW.1104A-44TG1/LL2014H ADDED	JMCC	JMCC	12/10/05
4	WEIGHTS AND CENTRE OF GRAVITY ADDED	J.E.	J.E.	18/05/05
5	FIRST ISSUE	JMCC	JMCC	12/01/04

**TOLERANCES EXCEPT WHERE OTHERWISE STATED**

0 - 500mm ± 1mm  
500 - 2000mm ± 2mm  
OVER 2000mm ± 3mm  
STRUCTURAL ± 1mm  
ANGULAR ± 1°

**DO NOT SCALE**

THIS DRAWING IS COPYRIGHTED AND MAY BE COPIED ONLY FOR THE PURPOSES OF MAINTAINING THE FABRICATED EQUIPMENT BY THE FABRICATOR

3rd ANGLE PROJECTION

DRN. BY	JMCCRACKEN	TITLE	G.A. OF 1104A-44TG1/TG2/1103A-TG1/TG2/LL2014B
DATE	12/01/04	SHEET	/C/D/H/V/L/LL3014B-CZ SA CANOPY-NON-UL
APPD. BY	<i>[Signature]</i>	SCALE	ORIGINAL
DATE	27/09/2006	DRAWING NO.	MGA6538
		ISSUE	E